

What is in the Box?

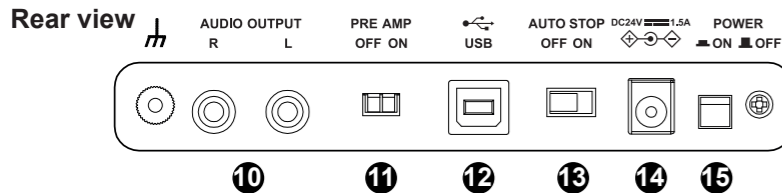
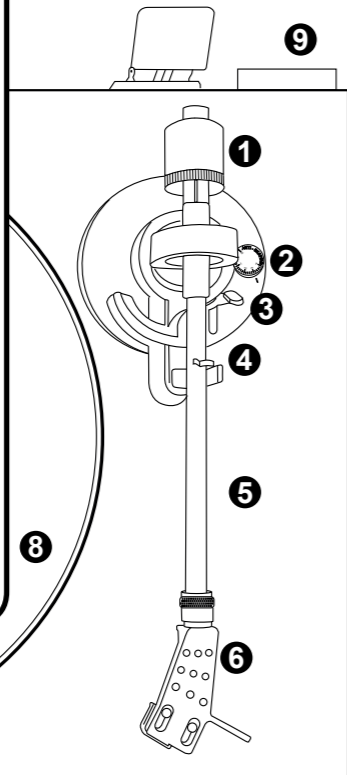
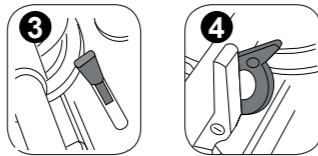
Clear a work area.
Ensure the packaging is the right-way up.
Open the packaging carefully.
Lift out each item, identify it, and carefully place it to one side.

Dust cover	Cables x 3, comprising
Base unit with tone-arm	USB cable (type-A - type-B)
Turntable platter	Stereo phono plugs - Stereo phono plugs
Rubber mat	Stereo phono sockets - 3.5mm stereo plug
Head-shell with cartridge	45 r.p.m. adaptor holder with screws x 2
Counterweight for the tone-arm	45 r.p.m. adaptor
Hinges x 2	Mains power adaptor with EU and UK pin options

We recommend that all packaging is kept to allow the turntable to be safely transported in the future.

Features

- Counterweight**
Used to set the tracking weight.
- Anti-skating control**
Used to set the anti-skating adjustment.
- Cueing lever**
Use to lower and raise the tone-arm.
- Tone-arm rest and securing clip**
Holds the tone-arm in place when not in use.
- Tone-arm**
- Head-shell**
Holds the cartridge and stylus.
- 33 / 45 r.p.m. speed switch**
Selects the speed for the record to be played.
- Platter and rubber mat**
Place the record here for playing.
- 45 r.p.m. adaptor holder**
- Phono sockets (right and left)**
Audio output to an amplifier.
Red = Right channel; White = Left channel.
- Pre-Amp On/Off Switch**
Controls use of the built-in phono preamplifier.
If connected to a Line or Aux input set this switch to On.
- USB port (see website for details on recording)**
Connect to a computer for making recordings.
- Auto Stop On/Off switch**
Controls the use of the automatic switch off.
- DC input socket**
- Power On/Off switch**

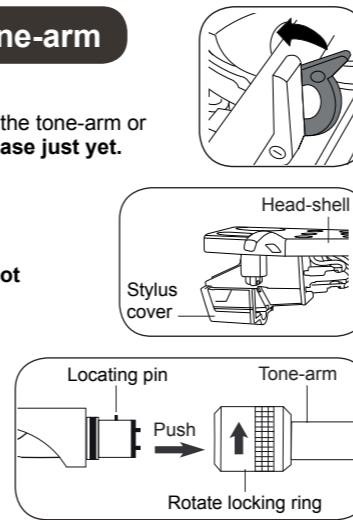


STEP 1 - Assembling your turntable

A - Connect the head-shell to the tone-arm

Unwrap the base unit and take care not to put pressure on the tone-arm or the cueing lever. **Do not assemble the platter on to the base just yet.**

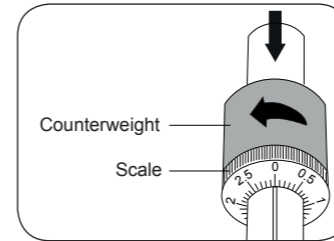
- Lock the **Tone-arm** with the securing clip.
- Take the **Head-shell** and identify the locating pin. **Do not remove the stylus cover at this time.**
- Align the **Locating pin** on the **head-shell** with the slot in the socket at the end of the **tone-arm**. Gently push.
- Rotate the **Locking ring** (anti-clockwise when viewed from the front) to pull the two parts together. Only tighten by hand.



B - Attach the counterweight to the tone-arm

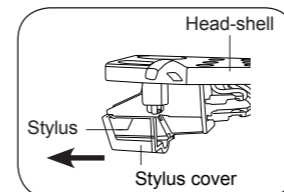
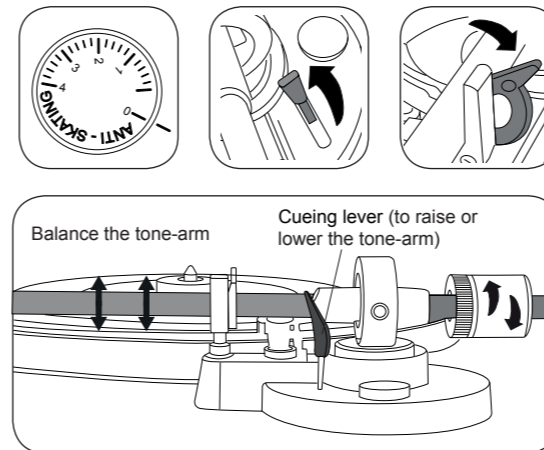
- Slide the **Counterweight** on to the **Tone-arm**.
- Rotate the **Counterweight** anti-clockwise (when viewed from the front) until it engages and some slight resistance is felt.

Note: The scale rotates freely. The counterweight itself must be rotated in order to engage correctly with the tone-arm.



C - Balance the tone-arm

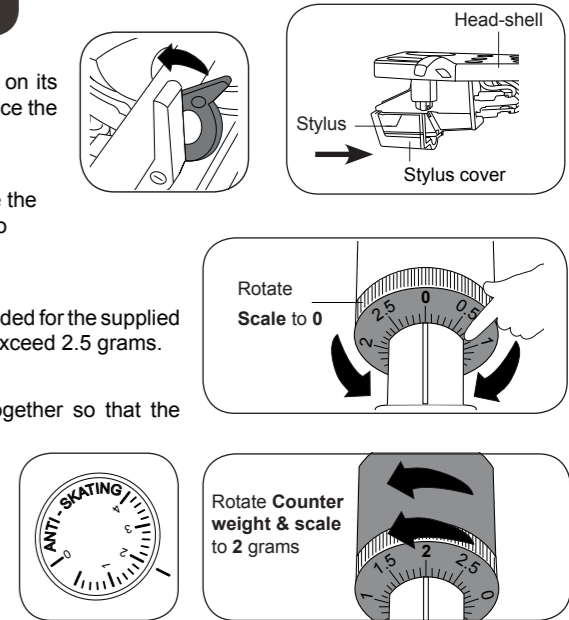
- Set the **Anti-skating** control to zero, raise the **Cueing lever** and unclip the **Tone-arm** so that it moves freely.
- Hold the **Head-shell**. It is currently unbalanced and will drift upwards.
- Rotate the **Counterweight** so that it moves further onto the **Tone-arm**.
- Check the balance and lower the **Cueing lever** to see if the tone-arm falls, rises or remains level.
- Adjust the **Counterweight** so that it moves in or out until the **Tone-arm** is balanced and remains level when the cueing lever is lowered.
- Carefully remove the **Stylus cover** and adjust the **Counterweight** again until the tone-arm is balanced.



When removing the stylus cover, **do not touch the stylus**. Damage caused to the stylus by mishandling is not covered by the guarantee. When balancing the tone-arm it is important that the **stylus never contacts the turntable platter, mat or base**.

D - Set the tracking weight

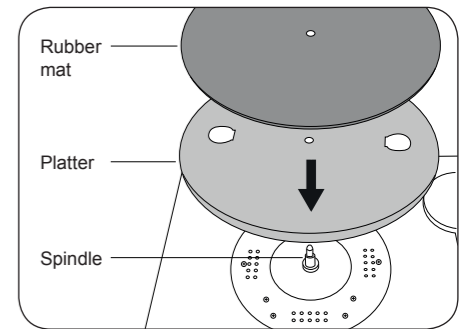
- When the **Tone-arm** is balanced, place it on its rest using the securing clip. Carefully replace the **Stylus cover**.
- Keeping the counterweight in place, rotate the **Scale** on the front of the **counterweight** to zero.
- A tracking weight of 2.0 grams is recommended for the supplied cartridge. The tracking weight should not exceed 2.5 grams.
- Rotate the **Counterweight** and **Scale** together so that the counterweight moves further towards the tone-arm pivot until the scale reads 2.0 grams.
- Adjust the **Anti-skating** control so that it also reads 2.0 grams. This should normally match the chosen tracking weight.



Note: An incorrect tracking weight can have a significant effect on the quality of the audio when playing records. If the tracking weight is set too low or too high then excessive wear to the stylus or damage to the surface of the record may be caused.

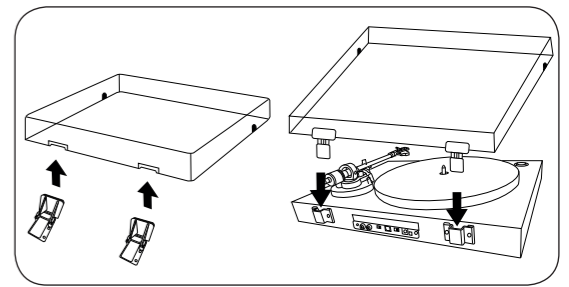
E - Attach the platter and mat

- Unpack the **Platter**. Place the **Platter** on the **Spindle**.
- Slowly rotate the platter by hand to ensure that it moves freely.
- Place the **Rubber mat** on to the **Platter**.



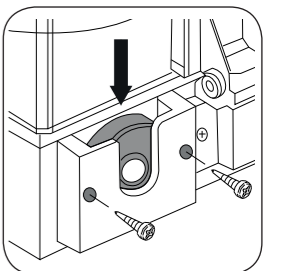
F - Attach the dust cover

- Fit the two **Hinges** onto the **Dust cover**.
- Locate the other end of the **Hinges** in the two **Sockets** at the rear of the turntable base.
- Lower the **Cover** into place over the platter and tone-arm.



G - Attach the adaptor holder

- Attach the 45 r.p.m. **Adaptor holder** onto the rear of the turntable using a cross head screwdriver. Do not overtighten screws.
- Place the 45 r.p.m. adaptor into the holder for storage.

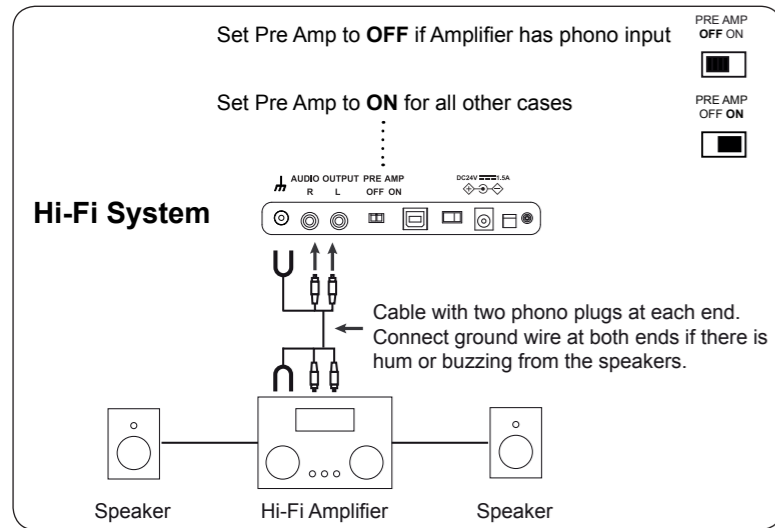


continued overleaf...

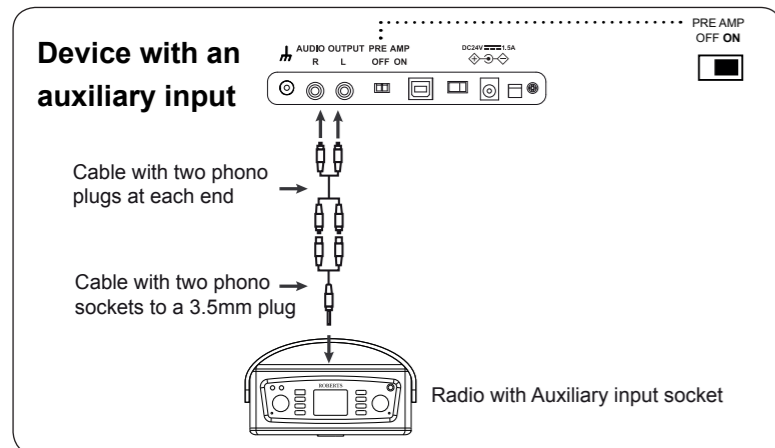
STEP 2 - Connecting

A - Audio connection

Note: In order to play music the turntable must be connected to a device providing amplification and one or more loudspeakers.

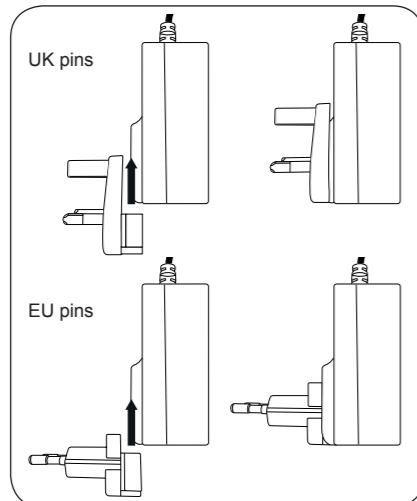


OR



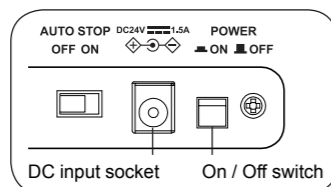
B - Mains adaptor

- Assemble either the UK or EU pins on to the **Mains power adaptor** to suit the mains sockets installed at your location.
- The AC adaptor should be disconnected from the mains supply and from the turntable when not in use.



C - Switch on

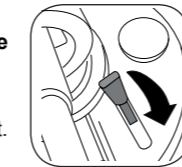
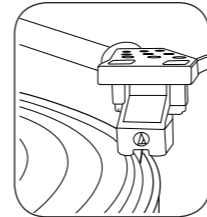
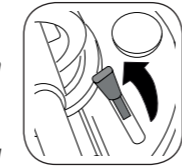
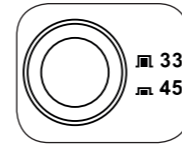
- Plug the **DC lead** from the mains adaptor into the **DC input socket**.
- Plug the **adaptor** into a suitable mains socket.
- Switch on the mains socket and then switch the **Power On/Off** switch **On**.



STEP 3 - Playing a record

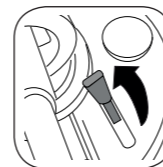
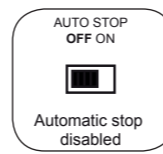
Playing a record

- Ensure the record is clean and dust free. Use a record cleaner if required.
- Carefully place the record on the platter and set the **Speed switch** to **33** or **45** r.p.m. as needed for the record.
- Remove the **Stylus cover**, unclip the **Tone-arm** and raise the **Cueing lever**.
- Position the **Tone-arm** so that the stylus is centred above the lead-in area of the record. The record should now rotate.
- Lower the **Cueing lever**. The tone-arm will drop slowly and the stylus should then settle into the groove at the start of the record which will then start playing.
- You may wish to gently lower the dust cover while the record is playing. **Do not let it close suddenly to avoid a sudden jolt to the tone-arm and stylus.**
- You will be able to listen to the record through your connected equipment.



Note: Always use the cueing lever to lower and raise the tone-arm and stylus in order to minimise the risk of damage to either the stylus or the record's surface. **When playing records it is important to ensure that the stylus never contacts the turntable platter, mat or turntable base.** Damage caused to the stylus by mishandling is not covered by the guarantee.

- At the end of the record, the turntable will switch off. **Note:** The automatic switch off feature is dependent on the placement of the run-out-groove at the end of the record and may take a few seconds to operate. If the turntable switches off prematurely, you will need to set the **Auto Stop switch** to **Off**.
- Raise the **Cueing lever** and return the tone-arm to its rest. The platter may rotate briefly during this step.
- Lock the **tone-arm** in place with the securing clip.
- If not playing another record for a while it is recommended to close the dust cover, switch off the turntable and switch off the mains supply to the turntable.
- If you wish to stop playing a record before it has finished, use the cueing lever to raise the stylus from the record before returning the tone-arm to its support.



Product markings

	DC Voltage Power input 24V / 1.5A
	Recycling This product bears the selective sorting symbol for Waste Electrical and Electronic Equipment (WEEE). This means that this product must be handled pursuant to European directive 2012/19/EU in order to be recycled or dismantled to minimize its impact on the environment. The user has the choice to give the product to a competent recycling organization or to the retailer when buying a new electrical or electronic equipment.

Safety



IMPORTANT: The mains adaptor is used as the means of connecting the product to the mains supply. The mains socket and any multi-way mains block used for the product must remain accessible during normal use. In order to disconnect the product from the mains, the mains adaptor should be removed from the mains socket completely.

Use only the mains adaptor provided with the product, or a genuine replacement provided by Roberts Radio. The use of alternative adaptors will invalidate the guarantee.

- Your turntable and AC/DC adaptor should not be exposed to liquids or steam and no objects filled with liquids, such as vases, shall be placed on the turntable or adaptor.
- It is recommended to operate the product such that there is a minimum distance (10cm recommended) to adjacent objects in order to ensure good ventilation.
- The ventilation of the product should not be restricted by covering it with items such as newspapers, tablecloths, curtains etc.
- No naked flame sources such as lighted candles should be placed on the product.
- It is recommended to avoid using or storing the product at extremes of temperature. Avoid leaving the unit in cars, on window sills, in direct sunlight etc.
- There are no user serviceable parts inside this product. The head-shell, stylus and cartridge are considered to be parts that the user may replace if so desired.
- Do not attempt to disassemble any part of the product.
- The product must be used in a moderate climate. The name plate is located underneath the turntable.

Electro-magnetic compatibility advice

In the event of a malfunction due to electrostatic discharge, mains power supply transients or short interruptions, remove the power for 30 seconds and then re-apply power to resume normal operation.

If the product is used in an environment with any ESD Immunity / Radiated Immunity / Conducted Immunity disturbance, the product may malfunction. It will automatically recover to normal when the ESD Immunity / Radiated Immunity / Conducted Immunity disturbance is stopped.

Specifications

Mains	AC 100 ~ 240 volts, 50/60Hz (adaptor) (Use only the supplied adaptor)
Operating temperature range	+5°C to +40°C
Cartridge	Moving magnet type Audio Technica AT-95E Load impedance 47kΩ
Tracking weight	2.0 - 2.5 grams
Replacement stylus	Audio Technica ATN-95E

The company reserves the right to amend the specification without notice

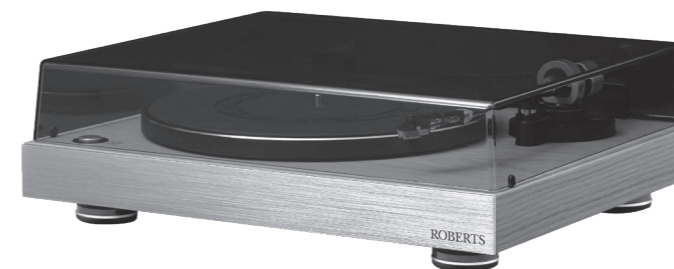
To clean the turntable use a soft lint-free cloth, ideally made from natural fibres in order to prevent a build-up of static electricity which can attract dust. Do NOT use polish or any solvent based cleaners. To remove dust from the mat on the platter, use a slightly damp lint-free cloth, removing the mat first if needed. To clean records, only use a purpose designed record cleaning brush with the record on the platter.

For support with using the recording function and for general troubleshooting, please visit our website at www.robertsradio.com

ROBERTS

RT200

Direct-drive turntable with USB connection and built-in preamplifier



Guarantee

This product is guaranteed for twenty four months from the date of purchase by the original owner against failure due to faulty workmanship or component breakdown, subject to the procedure stated below. Should any component or part fail during this guarantee period it will be repaired or replaced free of charge.

The guarantee does not cover: 1. Damage resulting from incorrect use. 2. Consequential damage. 3. Product with removed or defaced serial numbers.

N.B. The stylus will not be replaced under this guarantee if it is damaged or broken.

Procedure: Any claim under this guarantee should be made through the dealer from whom the product was purchased. It is likely that your Roberts dealer will be able to attend to any defect quickly and efficiently, but should it be necessary the dealer will return the product to the company's service department for attention. In the event that it is not possible to return the product to the Roberts dealer from whom it was purchased, please contact Roberts Radio using the contact details on the www.robertsradio.com website.

For product repairs falling outside the guarantee period, please refer to the "customer care" tab on the www.robertsradio.com website.

These statements do not affect the statutory rights of a consumer.

ROBERTS RADIO LIMITED

PO Box 130
Mexborough
South Yorkshire
S64 8YT

Issue 1
2019-11-21

www.robertsradio.com
© 2019 Roberts Radio Limited



Please read this manual before use

